

ARTWORK SPECIFICATION

This is a basic artwork specification of how we would like files supplied to DNR. Any variations/requirements/needs please ask.

Cutters Cutters must be editable so they can be amended/removed for print & must not be embedded into artwork/scans. If supplying only photoshop files- cutter must be on separate layer. Standard Radius Corners are 2mm.

Fonts All fonts to be outlined/converted to paths.

Font Size Recommend no font size to be smaller than 4pt. Try to keep text 1.5 to 2mm away from cutter edge if possible.

Strokes Recommend no stroke weight to be less than 0.5pt

Scans Recommend minimum 150dpi, 300dpi upwards preferred. CMYK/Special Colours - Not RGB. Linked Scans to be supplied with artwork.

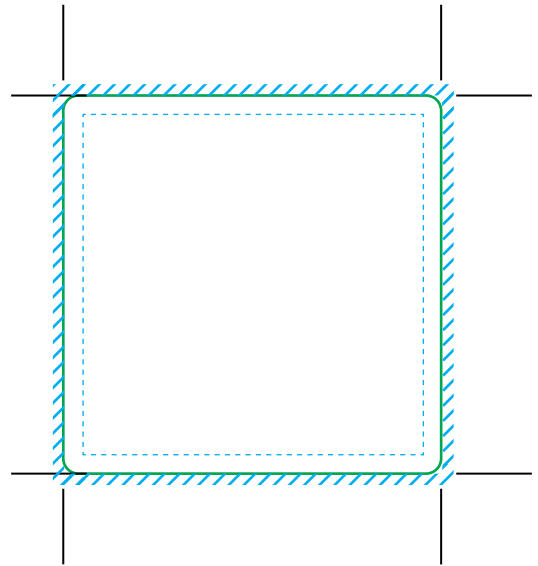
Colours CMYK/Special Colours to be used - Not RGB.

Bleed Digital/Flexo - 1.5mm bleed on all sides. Litho - 3mm bleed on all edges.

Programs Illustrator (Up to CC). Photoshop (Up to CC). Indesign (Up to CC - Illustrator preferred). QuarkXpress (Upto 9). Acrobat Pro. (HighRes, embedded scans, outlined fonts, cutter rules apply)

Barcodes EAN 8 digit/13 digit. Recommend 80% to 100% Magnification (below 80% may fail). Recommend height no smaller than 10mm. Create with 0.02 micron Bar Width Reduction.

Light margin indicator arrow may be deleted but barcode area must remain same size. No artwork is to encroach into barcode area.



Recommended Barcodes

80% Barcode



Barcodes with Light Margin Indicator

100% barcode



80% Barcode



Arrow deleted - Barcode area remains same size

100% barcode



Barcodes which may fail - Reduced Heights and Reduced Light Margin Area



Barcodes reduced below 10mm height
Barcode may fail.



Light Margin Indicator area cannot be reduced.
Barcode may fail if reduced.

